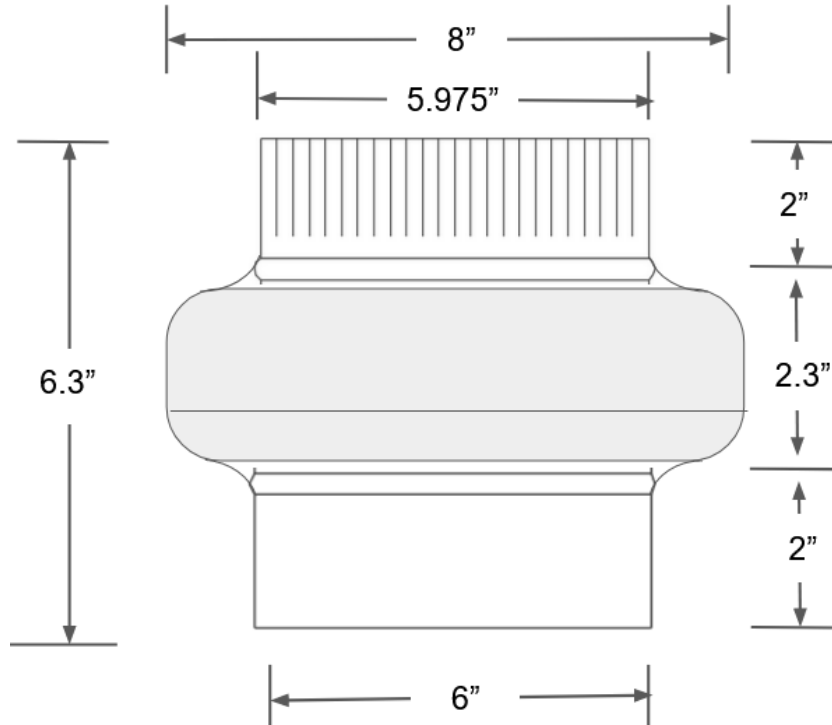


REVISIONS			
REV.	DESCRIPTION	DATE	BY
N/C	Initial Release	11/29/20	DCK

### ASSEMBLED DRAWING



**Installed Height = 2.3"**

(2) 6" X 8" Stove Pipe Adapters joined together and installed in the flue collar of the wood stove. Adapters contain (1) 7" catalytic combustor and (1) 8" X 7" suspension bracket, No baffle. 8" retention bracket to support 7" catalytic component.

The information contained herein is proprietary to HEALTHY HEARTH LLC. Proprietary data shall not be reproduced or disclosed in whole or in part or used for any purpose other than for engineering and/or purchasing reference information. The product or technology covered by this document may be subject to approval and/or certification by the US Environmental Protection Agency, Underwriters Laboratory or other regulatory body. All rights reserved 2020.

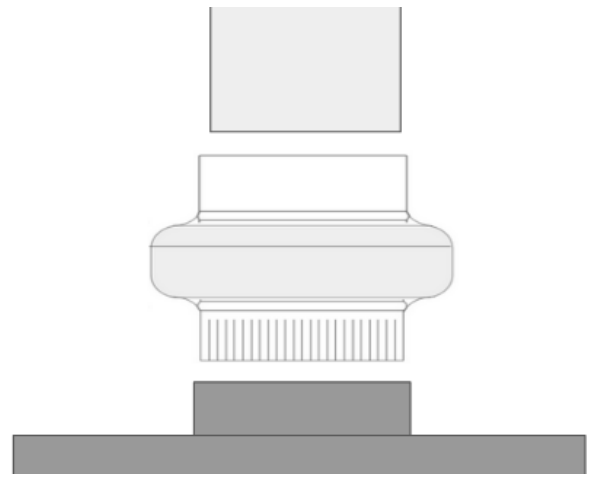


<b>TOLERANCES:</b> Thickness = .X Other Dim. = .XX	<b>APPROVALS:</b>		<b>DATE</b>	<b>TITLE:</b>	
	DWN <b>D. Kelly</b>		11/9/2020	<b>Assembly 7" StoveCAT for 6" Stove Pipe</b>	
	ENG				
	<b>SCALE</b> NONE	<b>SIZE</b> A	<b>FSCM NO</b> N/A	<b>PART NO.</b> <b>ECD 0066-01</b>	<b>REV.</b> N/C
	<b>PROPRIETARY TO HEALTHY HEARTH LLC</b>				SHEET 1 of 2

REVISIONS			
REV.	DESCRIPTION	DATE	BY
N/C	Initial Release	11/29/20	DCK

## INSTALL DRAWING (BELOW)


The **StoveCAT** Model 0066 is installed directly into the flue collar on the wood stove. Then the connector pipe is inserted into the top of the **StoveCAT** as shown below:



The **StoveCAT** Model 0066 is shown below after installation. If thermometer is installed, it should be facing forward. StoveCAT should be properly aligned.



## INSTALLED DRAWING (ABOVE)

	SCALE	SIZE	FSCM NO	PART NO.	REV.
	NONE	A	N/A	<b>ECD 0066-01</b>	N/C
<b>PROPRIETARY TO HEALTHY HEARTH LLC</b>					SHEET 2 of 2